

Filler SMALL-IN-GLASS

32 filling valves



Proven technology designed for the small craft business, built on the ALL-IN-ONE platform.

Main features

- Different glass bottles with different cap applications can be handled on the same machine
- Tool free changeover in 10 minutes by 2 operators
- No compromises in quality

Simplified installation & maintenance

- Drive and gear transmission
- Compact design
- Shipped as one block on a single truck / HiCube container
- Ready for use 2 weeks after start of installation

Applications

- Beer
- RTD's
- Soft drinks (still & sparkling)
- Wine (still & sparkling)
- Water (still & sparkling)
- Juices (including fruit pulp, up to 1x6mm)

Filling temperature range

- 32° - 68°F

CO₂ content

- 0 - 8 gr/l

Formats

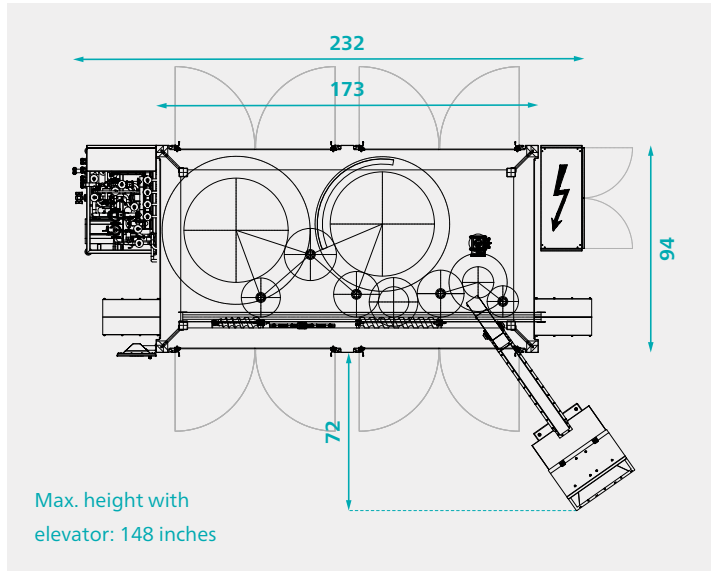
Glass bottles

- Diameter 50 - 90 mm
- Crown corks

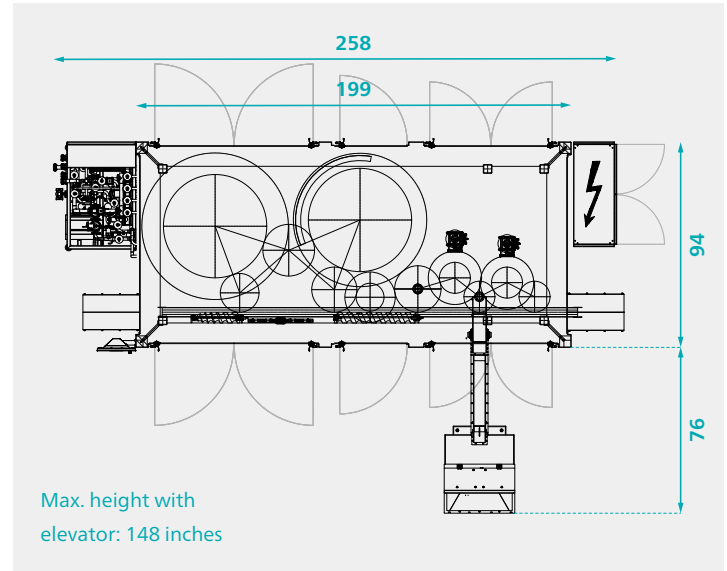
Options

- ROPP / Aluminium screw cap
- Plastic screw cap
- Other applications possible

Configuration for crown corks (and optionally ROPP and/or Plastic screw caps)



Configuration for crown corks (and optionally ROPP and/or Plastic screw caps) & possible other applications



Capacities

Product	Filling temp. (°F)	CO ₂ content (g/L)	Filler nominal capacity (bpm)	Container volume (oz)
Beer	39	5,5	160	12
(Pils, Lager)			140	16
Beer	59	5,5	140	12
(Pils, Lager)			120	16
Soft drinks	39	5,5	155	12
/ RTD			130	16
Soft drinks	59	5,5	140	12
/ RTD			120	16
Carbonated water	59-68	6,5	160	12
			150	16
Still water	68-77	0	160	12
			160	16
Still wine	68	2	160	8.4
			110	25.3
Sparkling wine	39-42	8	150	8.4
			65	25.3
Juice	194	0	160	8.4
			80	33.8

Basic scope

Item	Size 32
Orientation possible	L → R and R → L
Technical designation	VKR-E 32-32-6K
Nr. of rinsing stations	32 universal grippers
Rinser Execution	2-channel rinsing (rinsing with disinfection + sterile water); pump not included
Nr. of filling valves	32
Filling system	Short vent tubes
Closing turret	• Crown cork - 1 cap type/size
Nr. of capping heads	6
Software	B&R PLC & Control
Electrical specs	• UL components • UL certification
Accessories for filling beer	• Vacuum pump • Hot water injection
Format parts	• 1 glass bottle with 1 type of crown cork
Other	• Bottle shower at exit • Water recirculation system from rinser to the bottle shower and vacuum pump

Options and upgrades

- External flushing system with piping and nozzles for external cleaning
- Foaming system
- Cap elevator
- Additional capping applications on the turret together with crown corks
- Second capping turret complete with:
 - capping heads for ROPP caps
 - free places for future upgrade with plastic caps (can also be added after the machine is already installed)
- System for Hot-fill
- Simple cover with HEPA Filter
- Possibility to remove rinser (for returnable glass bottles)