

# Filler SMALL-IN-GLASS

## 32 filling valves



Proven technology designed for the small craft business, built on the ALL-IN-ONE platform.

### Main features

- Different glass bottles with different cap applications can be handled on the same machine
- Tool free changeover in 10 minutes by 2 operators
- No compromises in quality

### Simplified installation & maintenance

- Drive and gear transmission
- Compact design
- Shipped as one block on a single truck / HiCube container
- Ready for use 2 weeks after start of installation

### Applications

- Beer
- RTD's
- Soft drinks (still & sparkling)
- Wine (still & sparkling)
- Water (still & sparkling)
- Juices (including fruit pulp, up to 1x6mm)

### Filling temperature range

- 0° - 20°C

### CO<sub>2</sub> content

- 0 - 8 gr/l

### Formats

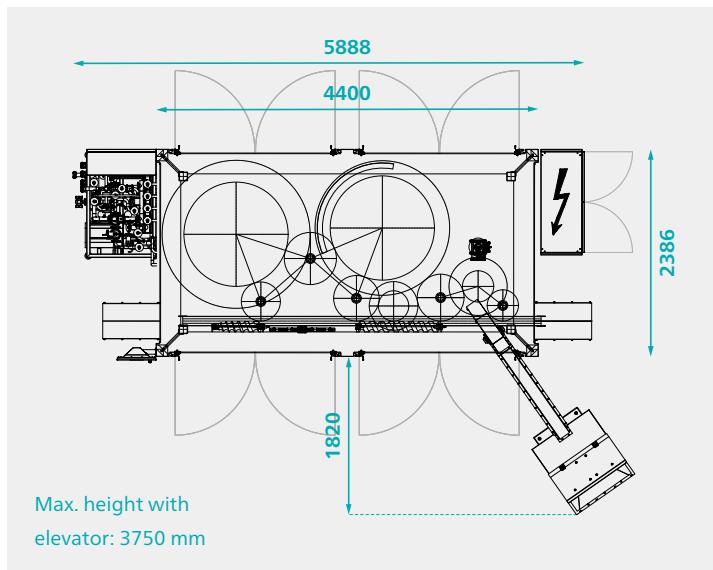
#### Glass bottles

- Diameter 50 - 90 mm
- Crown corks

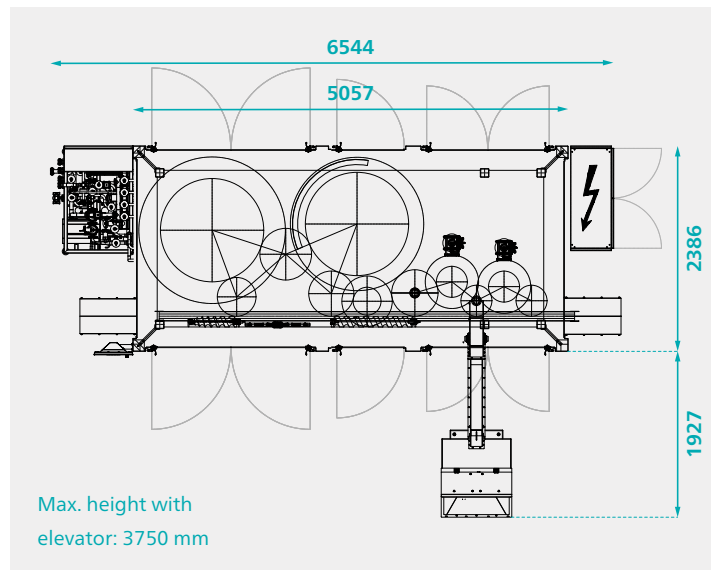
#### Options

- ROPP / Aluminium screw cap
- Plastic screw cap
- Other applications possible

## Configuration for crown corks (and optionally ROPP and/or Plastic screw caps)



## Configuration for crown corks (and optionally ROPP and/or Plastic screw caps) & possible other applications



### Capacities

Product	Filling temp. (°C)	CO <sub>2</sub> content (g/L)	Filler nominal capacity (bph)	Container volume (ml)
Beer	4	5,5	10.000	330
(Pils, Lager)			8.500	500
Beer	15	5,5	8.500	330
(Pils, Lager)			7.200	500
Soft drinks	4	5,5	9.500	330
/ RTD			8.000	500
Soft drinks	15	5,5	8.500	330
/ RTD			7.200	500
Carbonated water	15-20	6,5	10.000	330
			9.000	500
Still water	20-25	0	10.000	330
			10.000	500
Still wine	20	2	10.000	250
			7.000	750
Sparkling wine	4-6	8	9.000	250
			4.000	750
Juice	90	0	10.000	250
			5.200	1000

### Basic scope

Item	Size 32
Orientation possible	L → R and R → L
Technical designation	VKR-E 32-32-6K
Nr. of rinsing stations	32 universal grippers
Rinser Execution	2-channel rinsing (rinsing with disinfection + sterile water); pump not included
Nr. of filling valves	32
Filling system	Short vent tubes
Closing turret	• Crown cork - 1 cap type/size
Nr. of capping heads	6
Software	B&R PLC & Control
Electrical specs	EU / CE
Accessories for filling beer	• Vacuum pump • Hot water injection
Format parts	• 1 glass bottle with 1 type of crown cork
Other	• Bottle shower at exit • Water recirculation system from rinser to the bottle shower and vacuum pump

### Options and upgrades

- External flushing system with piping and nozzles for external cleaning
- Foaming system
- Cap elevator
- Additional capping applications on the turret together with crown corks
- Second capping turret complete with:
  - capping heads for ROPP caps
  - free places for future upgrade with plastic caps (can also be added after the machine is already installed)
- System for Hot-fill
- Simple cover with HEPA Filter
- Possibility to remove rinser (for returnable glass bottles)