

# Filler SMALL-IN-GLASS

## 24 filling valves



Proven technology designed for the small craft business, built on the ALL-IN-ONE platform.

### Main features

- Different glass bottles with different cap applications can be handled on the same machine
- Tool free changeover in 10 minutes by 2 operators
- No compromises in quality

### Simplified installation & maintenance

- Drive and gear transmission
- Compact design
- Shipped as one block on a single truck / HiCube container
- Ready for use 2 weeks after start of installation

### Applications

- Beer
- RTD's
- Soft drinks (still & sparkling)
- Wine (still & sparkling)
- Water (still & sparkling)
- Juices (including fruit pulp, up to 1x6mm)

### Filling temperature range

- 32° - 68°F

### CO<sub>2</sub> content

- 0 - 8 gr/l

### Formats

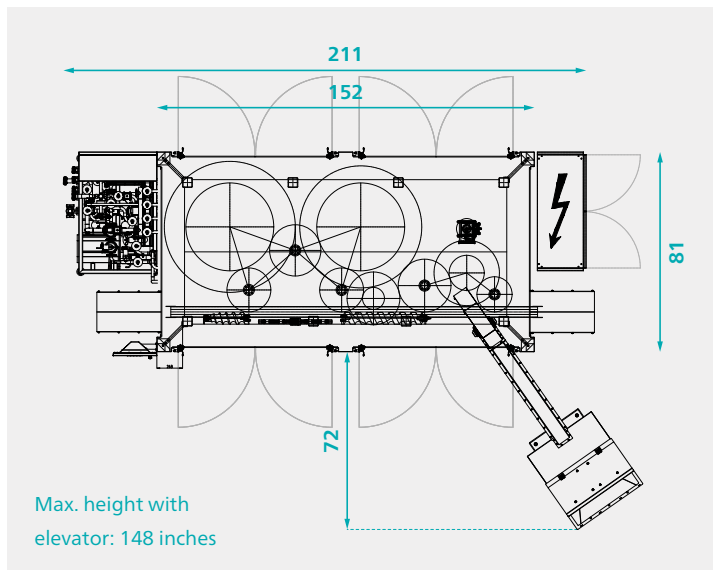
#### Glass bottles

- Diameter 50 - 90 mm
- Crown corks

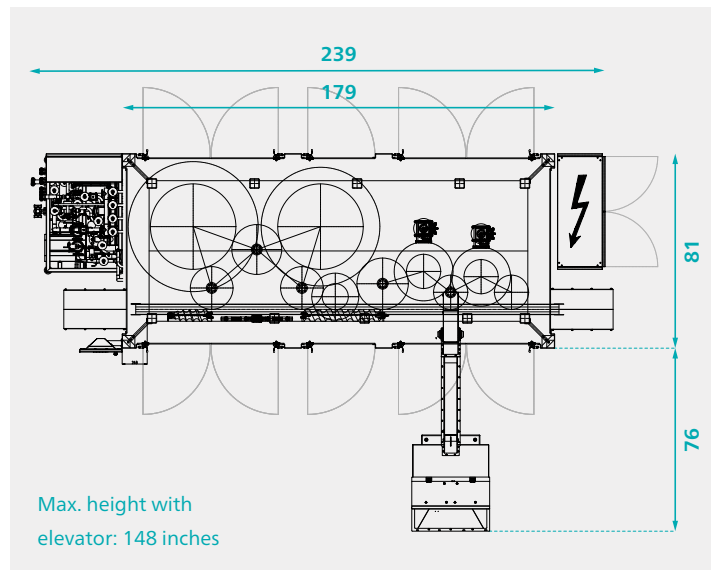
#### Options

- ROPP / Aluminium screw cap
- Plastic screw cap
- Other applications possible

## Configuration for crown corks (and optionally ROPP and/or Plastic screw caps)



## Configuration for crown corks (and optionally ROPP and/or Plastic screw caps) & possible other applications



### Capacities

Product	Filling temp. (°F)	CO <sub>2</sub> content (g/L)	Filler nominal capacity (bpm)	Container volume (oz)
Beer	39	5,5	125	12
(Pils, Lager)			100	16
Beer	59	5,5	100	12
(Pils, Lager)			80	16
Soft drinks	39	5,5	110	12
/ RTD			90	16
Soft drinks	59	5,5	100	12
/ RTD			80	16
Carbonated water	59-68	6,5	130	12
			100	16
Still water	68-77	0	130	12
			130	16
Still wine	68	2	130	8.4
			80	25.3
Sparkling wine	39-42	8	100	8.4
			45	25.3
Juice	194	0	130	8.4
			55	33.8

### Basic scope

Item	Size 24
Orientation possible	L → R and R → L
Technical designation	VKR-E 24-24-4K
Nr. of rinsing stations	24 universal grippers
Rinser Execution	2-channel rinsing (rinsing with disinfection + sterile water); pump not included
Nr. of filling valves	24
Filling system	Short vent tubes
Closing turret	• Crown cork - 1 cap type/size
Nr. of capping heads	4
Software	B&R PLC & Control
Electrical specs	• UL components • UL certification
Accessories for filling beer	• Vacuum pump • Hot water injection
Format parts	• 1 glass bottle with 1 type of crown cork
Other	• Bottle shower at exit • Water recirculation system from rinser to the bottle shower and vacuum pump

### Options and upgrades

- External flushing system with piping and nozzles for external cleaning
- Foaming system
- Cap elevator
- Additional capping applications on the turret together with crown corks
- Second capping turret complete with:
  - capping heads for ROPP caps
  - free places for future upgrade with plastic caps (can also be added after the machine is already installed)
- System for Hot-fill
- Simple cover with HEPA Filter
- Possibility to remove rinser (for returnable glass bottles)