

# Filler SMALL-IN-CAN

## 32 filling valves



Proven technology designed for the small craft business, built on the ALL-IN-ONE platform.

### Main features

- Different cans & lids can be handled on the same machine
- Tool free changeover in 10 minutes by 2 operators (same lid)
- No compromises in quality

### Simplified installation & maintenance

- Drive and gear transmission
- Compact design
- Shipped as one block on a single truck / HiCube container
- Ready for use 2 weeks after start of installation

### Applications

- Beer
- RTD's
- Soft drinks (still & sparkling)
- Wine (still & sparkling)
- Water (still & sparkling)
- Juices (including fruit pulp, up to 1x6mm)

### Filling temperature range

- 0° - 20°C

### CO<sub>2</sub> content

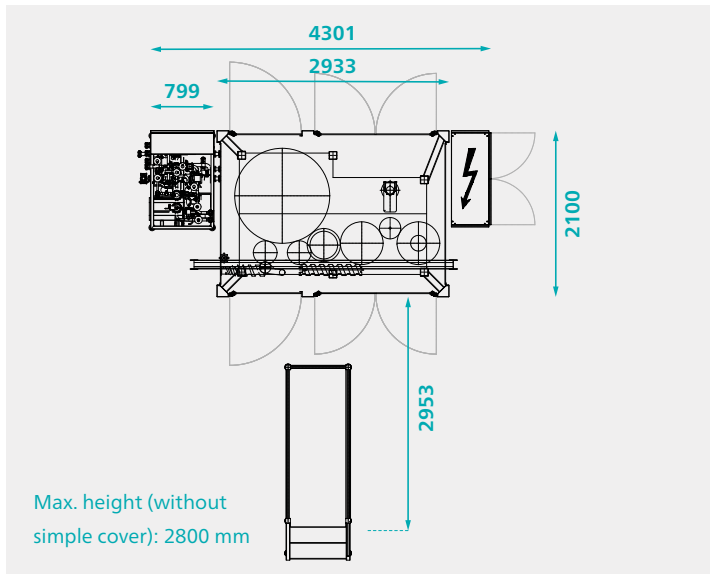
- 0 - 8 gr/l

### Formats

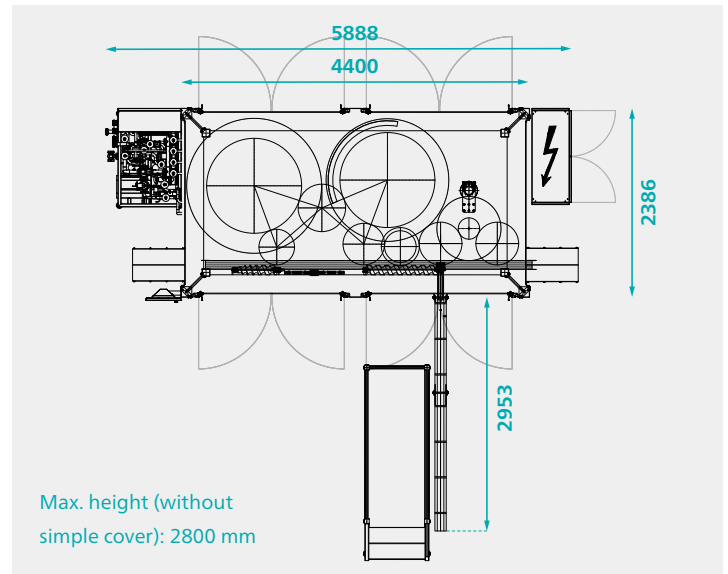
#### Cans

- Standard
- Sleek
- Slim

## Configuration without rotary rinser



## Configuration with rotary rinser



## Capacities

Product	Filling temp. (°C)	CO2 content (g/L)	Filler nominal capacity (cph)	Container volume (ml)
Beer	4	5,5	18.000	330
(Pils, Lager)			15.000	500
Beer	15	5,5	15.000	330
(Pils, Lager)			13.000	500
Soft drinks	4	5,5	17.000	330
/ RTD			14.500	500
Soft drinks	15	5,5	14.500	330
/ RTD			12.500	500
Carbonated water	15-20	6,5	18.000	330
			15.000	500
Still water	20-25	0	18.000	330
			18.000	500
Still wine	20	2	18.000	330
			15.000	500
Sparkling wine	4-6	8	14.500	330
			12.500	500
Juice	90	0	18.000	330
			18.000	500

## Options

- 2 channel rotary rinser with universal grippers (rinsing with disinfection + sterile water) and water recirculation
- External flushing system with piping and nozzles for external cleaning
- Foaming system
- Platform for manual lid feeding
- System for Hot-fill
- Simple cover with HEPA Filter

## Basic scope

Item	Size 32
Orientation possible	L → R and R → L
Technical designation	VKR-EID-DN 32-6D
Nr. of filling valves	32
Filling system	Volumetric
Closing turret	• Seamer - 1 lid size/type
Nr. of seaming stations	6
Lid supply	Chute for manual loading (chute on 2,1 m height)
Software	B&R PLC & Control
Electrical specs	EU / CE
Accessories for filling beer	• Vacuum pump • Undercover gassing & bubble breaker
Format parts	• 1 can type with 1 type of lid
Other	• Can shower at exit